

SRL-(BAG SIZE)-(I/O SIZE)-(MATERIAL)-(CLOSURE)

| REVISIONS |             |      |          |
|-----------|-------------|------|----------|
| LTR       | DESCRIPTION | DATE | APPROVAL |
| 0         | new         | xx   | xx       |

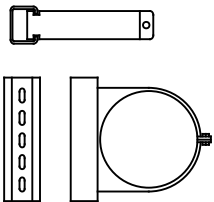
Standard Replacement Parts

- 1) 151214 SW Cover oring buna

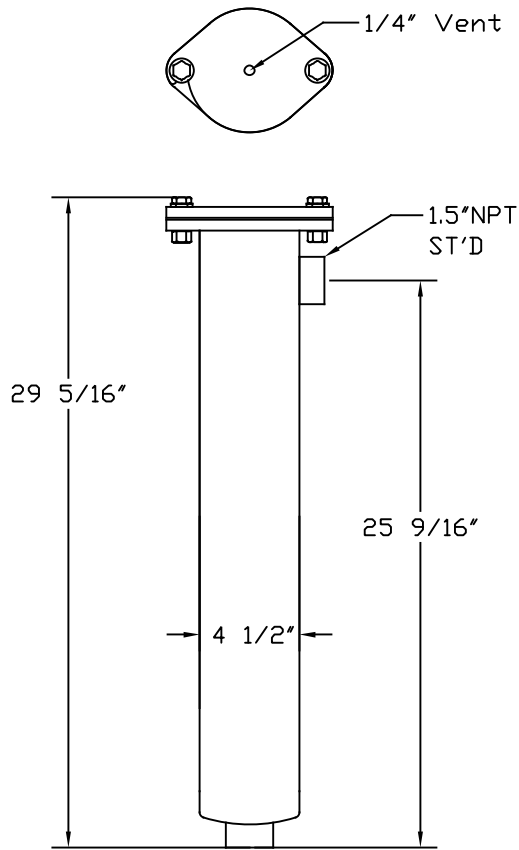
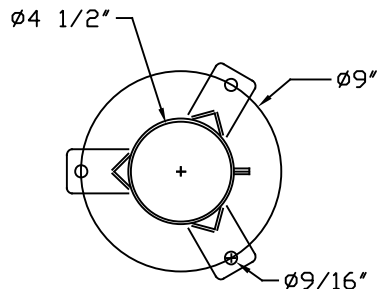
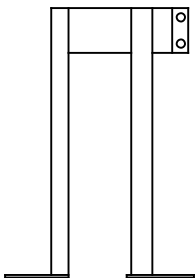
Standard Equipment

- 1) Stainless steel Perforated retainer basket
- 2) Swingaway style Cover
- 3) Side Mount
- 4) Buna "O" Ring seals
- 5) 100# PSI rating

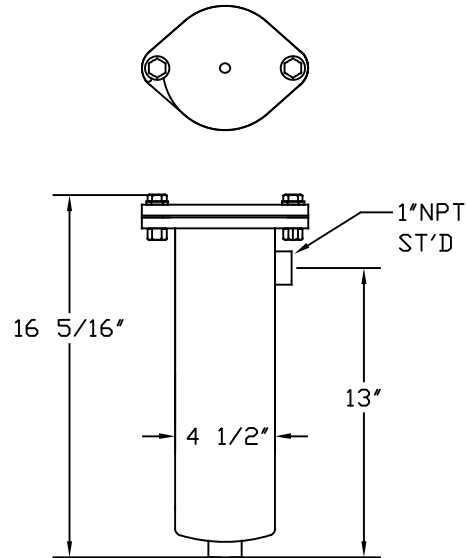
SIDE MOUNT



OPTIONAL Tri Pod



SRL50-1.5-\* -SW



SRL25 -1-\* -SW

SHIPPING WEIGHT

25-13LBS  
50-22LBS

Optional Equipment

- 1) 1/4" Gauge taps
- 2) Tripod stand (CS or SS)
- 3) 1/4" Drain
- 4) Mesh lined Basket
- 5) Special Pressure ratings
- 6) Manifold systems
- 7) ANSI B16.5 flanges or NPT sizes 3/4"-2"

REFERENCE DRAWING

THIS REPRODUCTION IS A PROPRIETARY DESIGN AND CONFIDENTIAL INFORMATION OF UF STRAINRITE INC. AND IS LOANED SUBJECT TO THE CONDITIONS THAT: (1) IT SHALL BE USED OR CAUSED TO BE USED FOR RECORD AND REFERENCE PURPOSES; (2) IT SHALL NOT BE USED OR CAUSED TO BE USED FOR PROCUREMENT IN ANY WAY PREJUDICIAL TO UF STRAINRITE INC. INTERESTS; (3) IT SHALL NOT BE REPRODUCED OR COPIED IN WHOLE OR IN PART; AND (4) IT SHALL NOT BE DISCLOSED AS GENERAL OR SPECIFIC INFORMATION WITHOUT EXPRESSED CONSENT IN WRITING SIGNED BY AN AUTHORIZED REPRESENTATIVE OF UF STRAINRITE INC.

UNLESS OTHERWISE SPECIFIED DIMENSIONS ARE IN INCHES. TOLERANCES ARE AS FOLLOW:  
FRACTION E 1/8 ANGLES E 10°  
XX = E .020 XXX = E .010  
MATERIAL: STEEL,304,316

|                |                           |
|----------------|---------------------------|
| SRL-25&50-SW   |                           |
| DRAWN BY: DCB  | STRANRITE INC             |
| DATE: 10-23-03 | 65 First Flight Drive     |
|                | Auburn Maine              |
|                | (207) 777-3100            |
| APPROVAL:      |                           |
| DWG #: REF     | SCALE: XX 0 SHT. 1 OF 1 C |