

The SRL Low Flow Vessel is versatile in its ability to function as a strainer or add a filter bag and convert it to a liquid filtration housing unit. The SRL Series vessels come in two standard sizes, tailored to your throughput requirements. The SRL 1-25 is rated for 30 gpm, and the SRL 1-50 at 65 gpm. All sizes are available in three different closure designs for ease of cleaning/replacing and for easy removal without specific tools.

Unfiltered liquid enters the housing above the bag or basket and flows through. Because solids are contained inside the bag or basket, removal is made easy when service is required. Basket strainers and bag filters are selected to comply with specific application requirements.

SRL FEATURES																													
Inlet/Outlet Orientation: Side-in Bottom-out																													
Low Pressure Drop	Positive Cover Seal																												
Easily Cleaned	Heavy Duty Perforated Basket																												
Pipe Sizes from 0.5" to 2" NPT, RFF or quick disconnect	0.25" NPT Vent Tap																												
SRL OPTIONAL FEATURES																													
Inlet/Outlet Orientation: Side-in Side-out																													
Epoxy coating, electro-polish & fuse coating																													
Higher pressure ratings available																													
Compression devices																													
Custom designs																													
Sanitary construction																													
Mesh-lined basket for straining applications: 50 micron & higher																													
Band Clamp, Swing Bolt & Swing Away Closures available in both sizes																													
ASME Code Stamp Available on swing bolt design																													
FILTER STYLES ACCEPTED																													
Install a bag filter of indicated size	Accepts ring collar only																												
PERFORMANCE CHARACTERISTICS - SINGLE CARTRIDGE																													
<table border="1"> <caption>Performance Characteristics - Single Cartridge</caption> <thead> <tr> <th>Water Flow Rate (GPM)</th> <th>10" 1μ nominal (PSID)</th> <th>20" 1μ nominal (PSID)</th> <th>30" 1μ nominal (PSID)</th> </tr> </thead> <tbody> <tr> <td>0</td> <td>0.0</td> <td>0.0</td> <td>0.0</td> </tr> <tr> <td>2</td> <td>0.05</td> <td>0.02</td> <td>0.01</td> </tr> <tr> <td>4</td> <td>0.15</td> <td>0.05</td> <td>0.02</td> </tr> <tr> <td>6</td> <td>0.30</td> <td>0.10</td> <td>0.04</td> </tr> <tr> <td>8</td> <td>0.45</td> <td>0.15</td> <td>0.06</td> </tr> <tr> <td>10</td> <td>0.60</td> <td>0.20</td> <td>0.08</td> </tr> </tbody> </table>		Water Flow Rate (GPM)	10" 1μ nominal (PSID)	20" 1μ nominal (PSID)	30" 1μ nominal (PSID)	0	0.0	0.0	0.0	2	0.05	0.02	0.01	4	0.15	0.05	0.02	6	0.30	0.10	0.04	8	0.45	0.15	0.06	10	0.60	0.20	0.08
Water Flow Rate (GPM)	10" 1μ nominal (PSID)	20" 1μ nominal (PSID)	30" 1μ nominal (PSID)																										
0	0.0	0.0	0.0																										
2	0.05	0.02	0.01																										
4	0.15	0.05	0.02																										
6	0.30	0.10	0.04																										
8	0.45	0.15	0.06																										
10	0.60	0.20	0.08																										



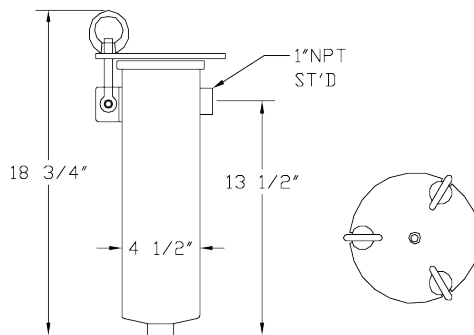
ORDER GUIDE



SRL 1-25 with Swing Bolt Closure design
(100 to 300 psi rating)

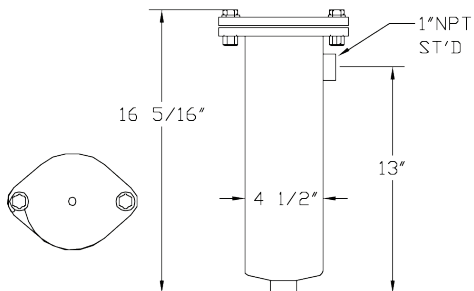


SRL-25-SB

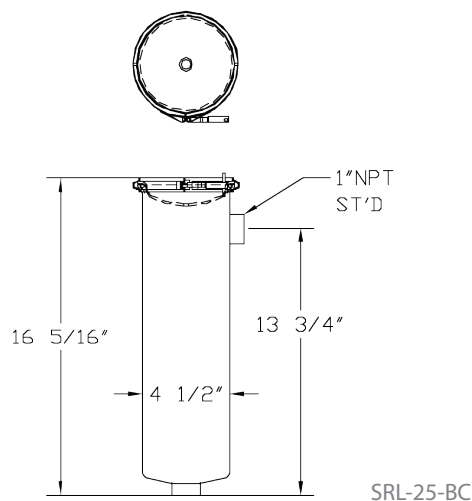


Swing Away Closure design
(100 psi rating)

SRL-25-SW



Band Clamp Closure design
(100 psi rating)



ORDER OPTIONS

VESSEL	
SRL	Strainrite Low Flow Series
BAG SIZE	
3	#3 size bag*
4	#4 size bag*
25	#25 size bag*
50	#50 size bag*
<small>*available in metal ring or Z-flange only</small>	
INLET/OUTLET	
1	1" NPT
1F	1" RFF
1TC	1" Triclover
1.5	1.5" NPT
1.5F	1.5" RFF
1.5TC	1.5" Triclover
2	2" NPT
2F	2" RFF
2TC	2" Triclover
MATERIAL	
A	Carbon Steel
B	304 Stainless Steel
C	316 Stainless Steel
CLOSURE	
BC	Band Clamp
SB	Swing Bolt
SW	Swing Away
OPTIONS	
SAN	Sanitary Design
SO	Side Outlet - Side Out/Same Side
EP	Electro Polish Finish
GT	Differential Pressure Gauge Ports
ML	Mesh-Lined Basket
UM	Code Stamped (SB only)