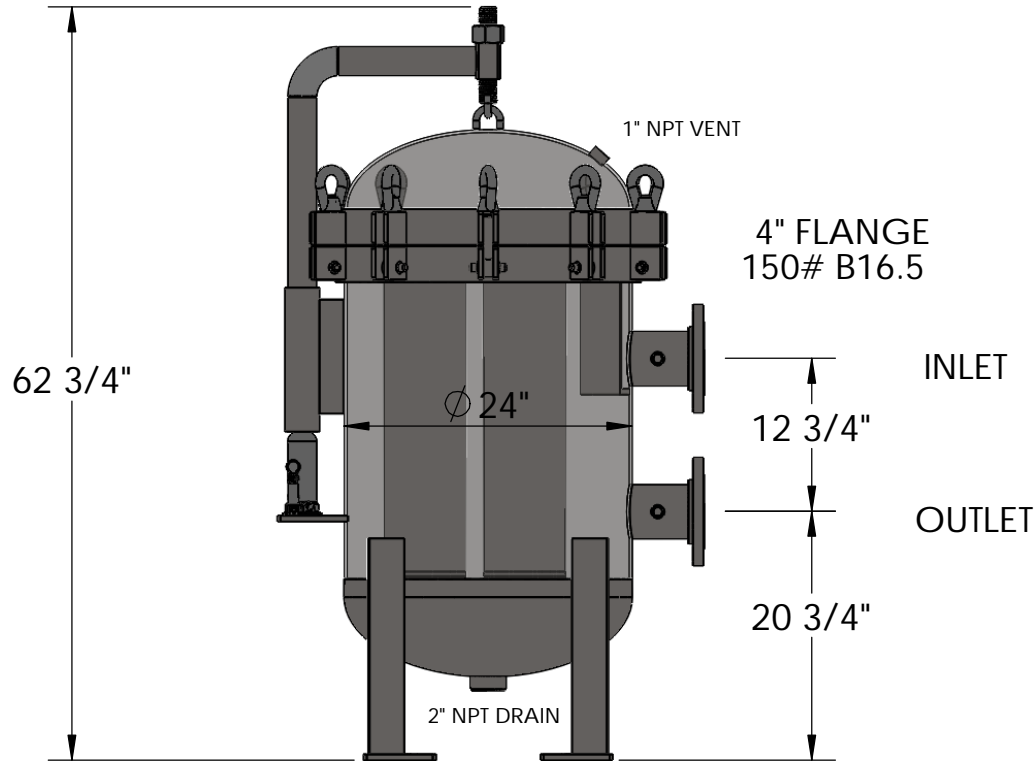
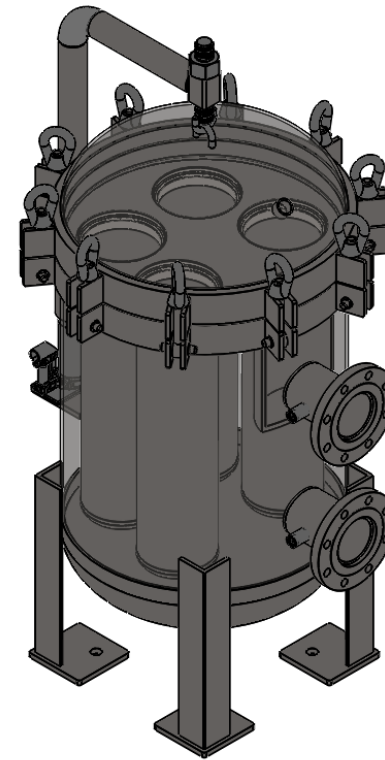
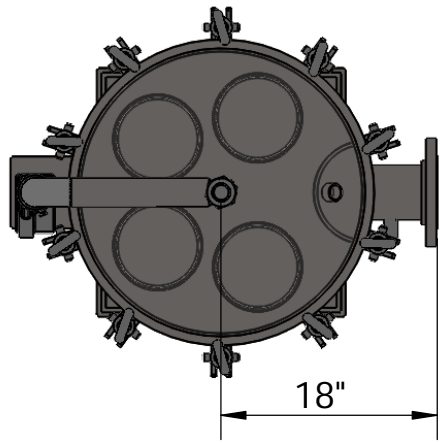


FILTER LIFE 0-15 PSID, MAXIMUM DIFFERENTIAL 25PSID  
 4-BAG FLOW RANGE 1-600 GPM, MAXIMUM FLOW RATE 720 GPM WATER  
 SRMB-(#BAGS)-(I/O SIZE)-(MATERIAL)-(OPTION)

SRMB-4-4F  
 (4) #2SIZE(7X30)



STANDARD EQUIPMENT:  
 -PERFORATED STAINLESS BASKET  
 -BUNA ORING SEAL  
 -MAWP 150 PSI @ 200F

Prod Order: -	M.A.W.P. 150 P.S.I at 200 F
Customer: -	M.D.M.T. -20 F at 150 P.S.I
Cust. P.O.: -	Hydrostatic Test at 195 P.S.I
Cust. Tag: -	
Est. Weight 675 Lbs. Full 1400Lbs.	MFG. Serial# TBD

SHIPPING WEIGHT 675LBS  
 68"X48"X48"

THIS REPRODUCTION IS A PROPRIETARY DESIGN AND CONFIDENTIAL INFORMATION OF UF STRAINRITE INC. AND IS LOANED SUBJECT TO THE CONDITIONS THAT: (1) IT SHALL BE USED OR CAUSED TO BE USED FOR RECORD AND REFERENCE PURPOSES; (2) IT SHALL NOT BE USED OR CAUSED TO BE USED FOR PROCUREMENT IN ANY WAY PREJUDICIAL TO UF STRAINRITE INC. INTERESTS; (3) IT SHALL NOT BE REPRODUCED OR COPIED IN WHOLE OR IN PART; AND (4) IT SHALL NOT BE DISCLOSED AS GENERAL OR SPECIFIC INFORMATION WITHOUT EXPRESSED CONSENT IN WRITING SIGNED BY AN AUTHORIZED REPRESENTATIVE OF UF STRAINRITE INC

UNLESS OTHERWISE SPECIFIED  
 DIMENSIONS ARE IN INCHES  
 TOLERANCES:  
 ANGLES ± 10° FRACTION: ± 1/8  
 .XXX=±XX .XX=±0.0625

MATERIAL  
 316-304-CS

Drawn By: DCB
Date: 7/12/2019
WPS: SIS R2
Drawing: REF.

SRMB-4-REFERENCE

STRAINRITE INC  
 65 First Flight Drive  
 Auburn Maine  
 (207) 777-3100