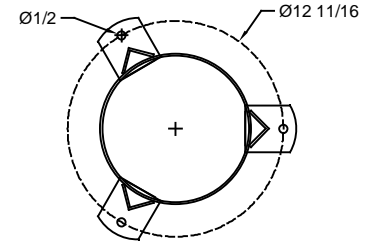
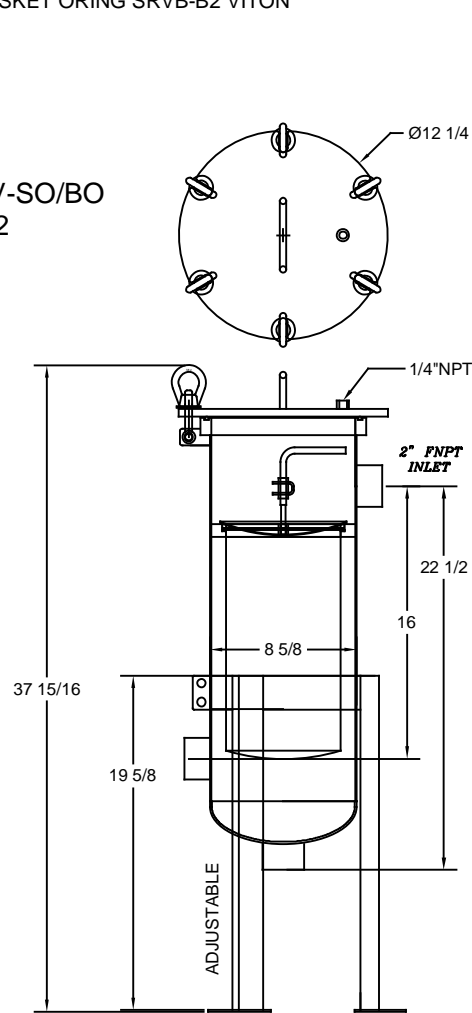


FILTER BAG VESSEL
 FILTER BAG LIFE 0-20 PSID
 MAXIMUM DIFFERENTIAL PRESSURE 25 PSID
 FLOW RANGE #1 SIZE 1-50 GPM , MAXIMUM FLOW RATE 90 GPM WATER

DESIGN PRESSURE 150PSI @ 300F
 NON-CODE MILD SERVICE
 (PSV) PRESSURE SAFETY VALVE NOT SUPPLIED
 152085 COVER ORING SRVB-B2 VITON
 152094 BASKET ORING SRVB-B2 VITON

REVISIONS			
LTR	DESCRIPTION	DATE	APPROVAL
0	new	xx	xx

SRVB-B1-2V-SO/BO
 106712



EST. SHIPPING WEIGHT
 65 LBS

THIS REPRODUCTION IS A PROPRIETARY DESIGN AND CONFIDENTIAL INFORMATION OF UF STRAINRITE INC. AND IS LOANED SUBJECT TO THE CONDITIONS THAT: (1) IT SHALL BE USED OR CAUSED TO BE USED FOR RECORD AND REFERENCE PURPOSES; (2) IT SHALL NOT BE USED OR CAUSED TO BE USED FOR PROCUREMENT IN ANY WAY PREJUDICIAL TO UF STRAINRITE INC. INTERESTS; (3) IT SHALL NOT BE REPRODUCED OR COPIED IN WHOLE OR IN PART; AND (4) IT SHALL NOT BE DISCLOSED AS GENERAL OR SPECIFIC INFORMATION WITHOUT EXPRESSED CONSENT IN WRITING SIGNED BY AN AUTHORIZED REPRESENTATIVE OF UF STRAINRITE INC.

UNLESS OTHERWISE SPECIFIED DIMENSIONS ARE IN INCHES. TOLERANCES ARE AS FOLLOWS:
 FRACTION ± 1/8 ANGLES ± 10°
 .XX = ± .020 .XXX = ± .XX
 MATERIAL:
STAINLESS

SRVB-B1-2V-SO/BO	
DRAWN BY: DCB	STRAINRITE INC
DATE: 5-18-16	65 First Flight Drive
APPROVAL:	Auburn Maine
DWG #: 106712	(207) 777-3100
SCALE: xx	0
SHT. 1 OF 1	C