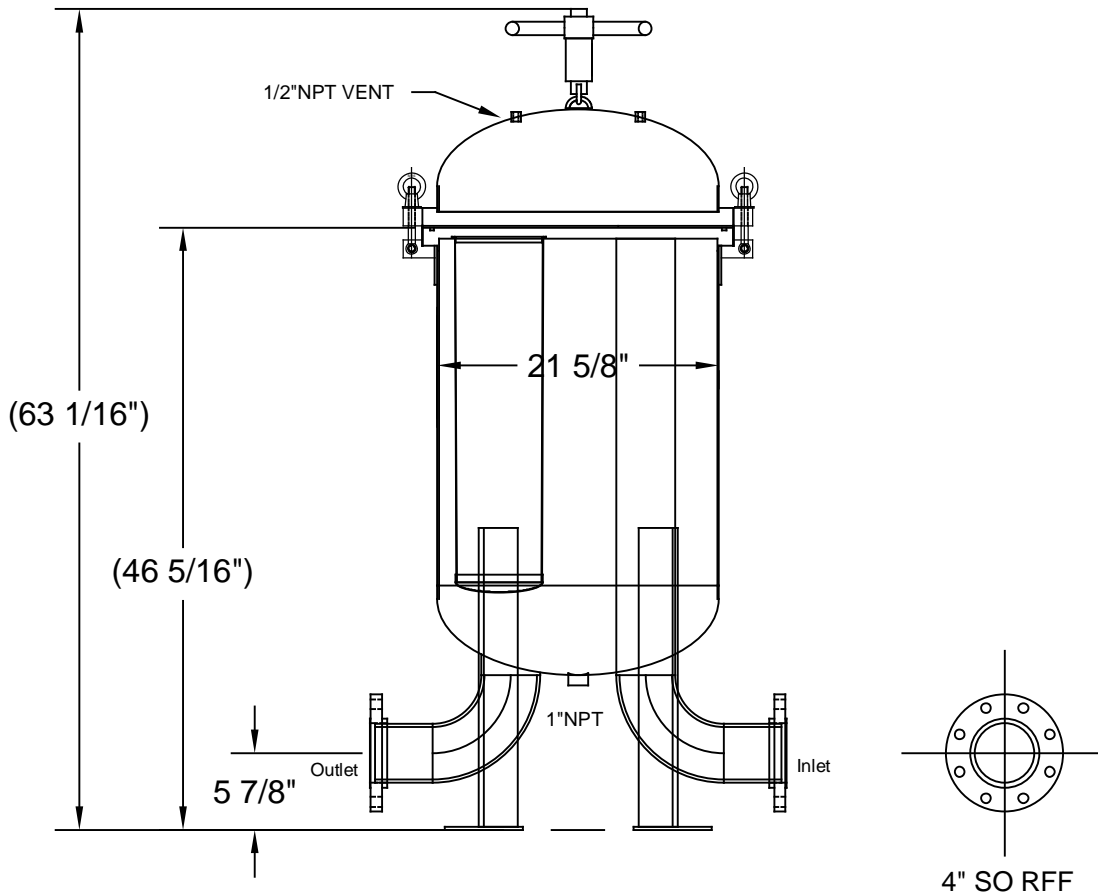
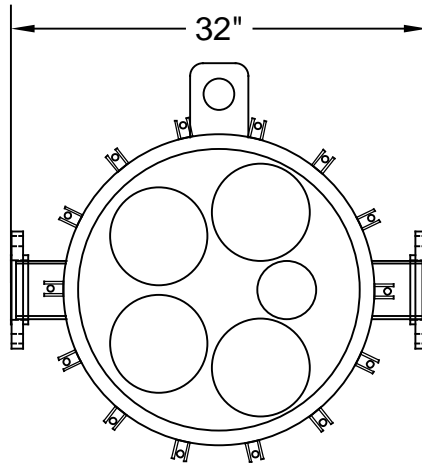


Bolt hole pattern for the SRVB 4-Bag vessel is 19.75" Centers x 1/2" holes.  
Create size 31" x 35" x 59"



**THIS REPRODUCTION IS A PROPRIETARY DESIGN AND CONFIDENTIAL INFORMATION OF UF STRAINRITE INC. AND IS LOANED SUBJECT TO THE CONDITIONS THAT: (1) IT SHALL BE USED OR CAUSED TO BE USED FOR RECORD AND REFERENCE PURPOSES; (2) IT SHALL NOT BE USED OR CAUSED TO BE USED FOR PROCUREMENT IN ANY WAY PREJUDICIAL TO UF STRAINRITE INC. INTERESTS; (3) IT SHALL NOT BE REPRODUCED OR COPIED IN WHOLE OR IN PART; AND (4) IT SHALL NOT BE DISCLOSED AS GENERAL OR SPECIFIC INFORMATION WITHOUT EXPRESSED CONSENT IN WRITING SIGNED BY AN AUTHORIZED REPRESENTATIVE OF UF STRAINRITE INC.**

UNLESS OTHERWISE SPECIFIED DIMENSIONS ARE IN INCHES. TOLERANCES ARE AS FOLLOWS:  
 FRACTION = 1/8 ANGLES = 10'  
 XX = E .020 XXX = E .XX  
 MATERIAL: STAINLESS

<b>SRVB-B42-4FB</b>	
DRAWN BY: DCB	<b>STRAINRITE INC</b>
DATE: -	65 First Flight Drive
APPROVAL: -	Auburn Maine
DATE: -	(207) 777-3100
DWG #: 106557	SCALE: XX 10 SHI, 1 OF 1