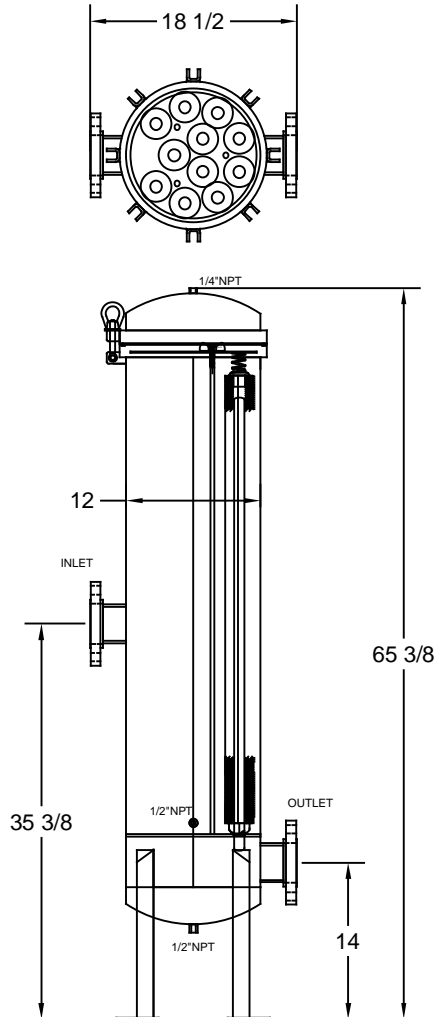


CARTRIDGE VESSEL
 FILTER CARTRIDGE LIFE 0-20 PSID
 MAXIMUM DIFFERENTIAL PRESSURE 25 PSID
 FLOW RANGE 30° CTK 1-150 GPM , MAXIMUM FLOW RATE 165 GPM WATER
 FLOW RANGE 40° CTK 1-200 GPM , MAXIMUM FLOW RATE 220 GPM WATER

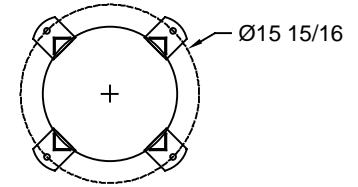
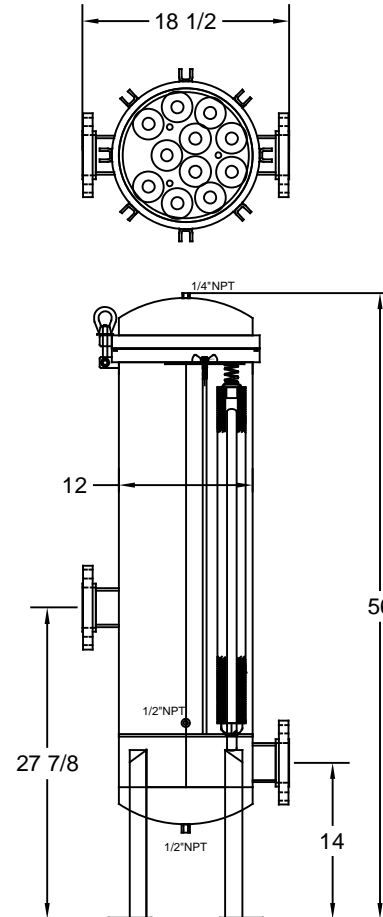
HOLDS (11) DOE OR 222(C1,C3,C8)
 DESIGN PRESSURE 150PSI @ 300F
 NON-CODE MILD SERVICE
 (PSV) PRESSURE SAFETY VALVE NOT SUPPLIED
 152082 COVER ORING SRVC-B11 VITON

REVISIONS			
LTR	DESCRIPTION	DATE	APPROVAL
0	new	xx	xx

SRVC-B11-403FV
 106561



SRVC-B11-303FV
 106560



EST. SHIPPING WEIGHTS

30° 120 LBS
 40° 150 LBS

THIS REPRODUCTION IS A PROPRIETARY DESIGN AND CONFIDENTIAL INFORMATION OF UF STRAINRITE INC. AND IS LOANED SUBJECT TO THE CONDITIONS THAT: (1) IT SHALL BE USED OR CAUSED TO BE USED FOR RECORD AND REFERENCE PURPOSES; (2) IT SHALL NOT BE USED OR CAUSED TO BE USED FOR PROCUREMENT IN ANY WAY PREJUDICIAL TO UF STRAINRITE INC. INTERESTS; (3) IT SHALL NOT BE REPRODUCED OR COPIED IN WHOLE OR IN PART; AND (4) IT SHALL NOT BE DISCLOSED AS GENERAL OR SPECIFIC INFORMATION WITHOUT EXPRESSED CONSENT IN WRITING SIGNED BY AN AUTHORIZED REPRESENTATIVE OF UF STRAINRITE INC.

UNLESS OTHERWISE SPECIFIED DIMENSIONS ARE IN INCHES. TOLERANCES ARE AS FOLLOWS:
 FRACTION E 1/8 ANGLES E 10°
 .XX = E .020 .XXX = E .xx
 MATERIAL:
STAINLESS

SRVC-B11	
DRAWN BY: DCB	STRAINRITE INC
DATE: 6-7-16	65 First Flight Drive
APPROVAL:	Auburn Maine
DWG #: -	(207) 777-3100
SCALE: xx 10	SHT. 1 OF 1 C