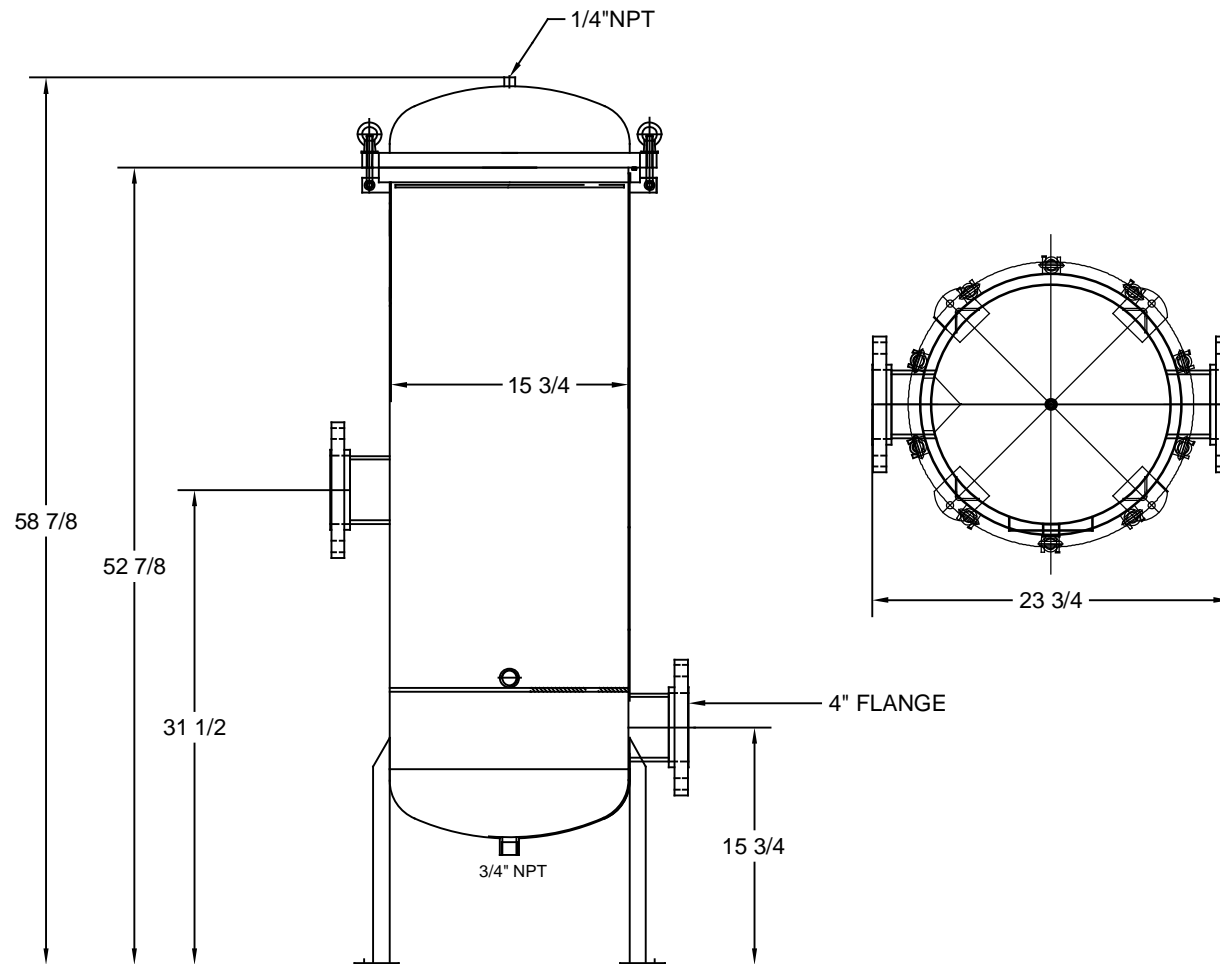


REVISIONS			
LTR	DESCRIPTION	DATE	APPROVAL
0	new		



SHIPPING WEIGHT 200LBS

MAWP 150 PSI @ 200F

HOLDS (19) 2.75" X 30" C8,C1

THIS REPRODUCTION IS A PROPRIETARY DESIGN AND CONFIDENTIAL INFORMATION OF UF STRAINRITE INC. AND IS LOANED SUBJECT TO THE CONDITIONS THAT: (1) IT SHALL BE USED OR CAUSED TO BE USED FOR RECORD AND REFERENCE PURPOSES; (2) IT SHALL NOT BE USED OR CAUSED TO BE USED FOR PROCUREMENT IN ANY WAY PREJUDICIAL TO UF STRAINRITE INC. INTERESTS; (3) IT SHALL NOT BE REPRODUCED OR COPIED IN WHOLE OR IN PART; AND (4) IT SHALL NOT BE DISCLOSED AS GENERAL OR SPECIFIC INFORMATION WITHOUT EXPRESSED CONSENT IN WRITING SIGNED BY AN AUTHORIZED REPRESENTATIVE OF UF STRAINRITE INC.

UNLESS OTHERWISE SPECIFIED DIMENSIONS ARE IN INCHES. TOLERANCES ARE AS FOLLOW:
 FRACTION $\pm 1/8$ ANGLES $\pm 1^\circ$
 .XX = $\pm .020$.XXX = $\pm .005$

MATERIAL: 304SS

SRVC-B19-304FV

DRAWN BY: DCB

STRAINRITE

DATE: 1-18-18

APPROVAL:

DWG #: 106694 SCALE: XX REV 0 SHT. 1 OF 1 C