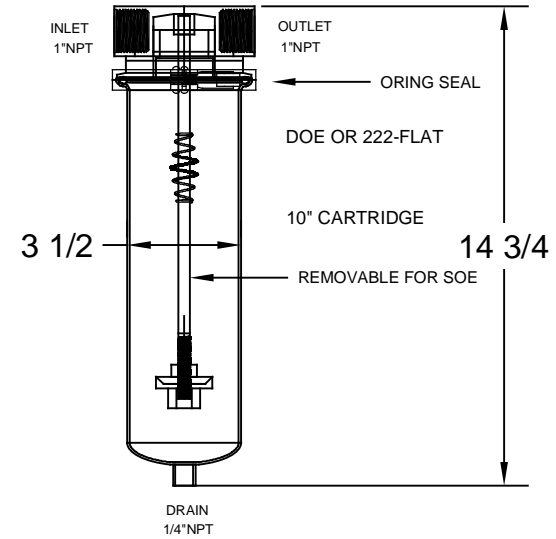
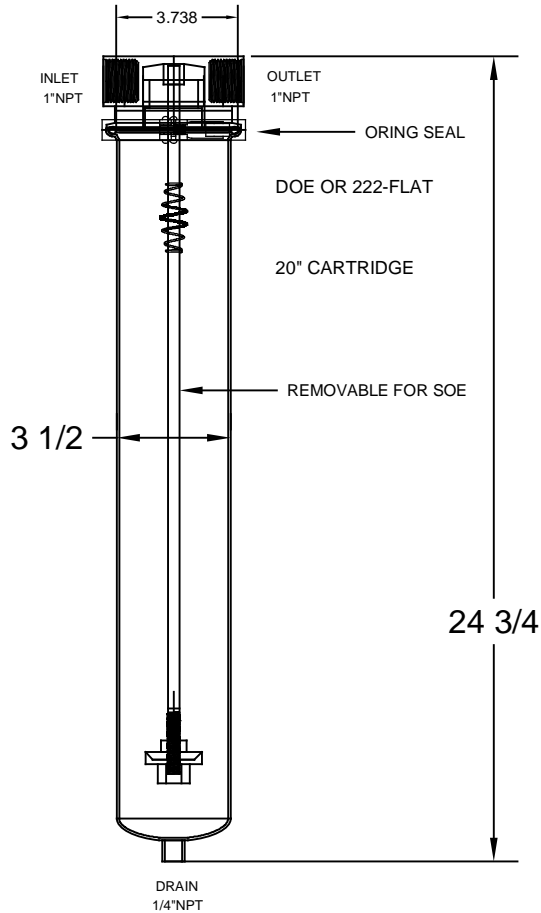
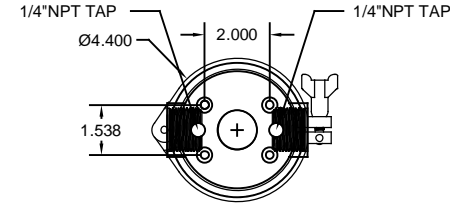
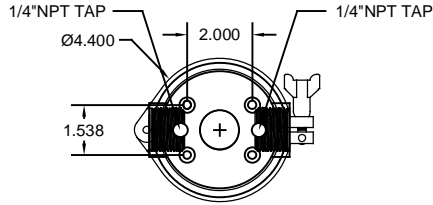


CARTRIDGE VESSEL
 FILTER CARTRIDGE LIFE 0-20 PSID
 MAXIMUM DIFFERENTIAL PRESSURE 25 PSID
 FLOW RANGE 10" CTK 1-7 GPM , MAXIMUM FLOW RATE 10 GPM WATER
 FLOW RANGE 20" CTK 1-14 GPM , MAXIMUM FLOW RATE 20 GPM WATER

HOLDS (1) DOE OR 222/FLAT
 DESIGN PRESSURE 100PSI @ 300F
 NON-CODE MILD SERVICE
 (PSV) PRESSURE SAFETY VALVE NOT SUPPLIED

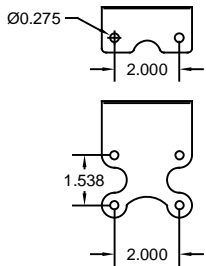
REVISIONS			
LTR	DESCRIPTION	DATE	APPROVAL
0	new	xx	xx



106514
 SRVC-B1-101V

106515
 SRVC-B1-201V

BRACKET , INCLUDED



EST. SHIPPING WEIGHTS
 10" 8 LBS
 20" 12 LBS

THIS REPRODUCTION IS A PROPRIETARY DESIGN AND CONFIDENTIAL INFORMATION OF UF STRAINRITE INC. AND IS LOANED SUBJECT TO THE CONDITIONS THAT: (1) IT SHALL BE USED OR CAUSED TO BE USED FOR RECORD AND REFERENCE PURPOSES; (2) IT SHALL NOT BE USED OR CAUSED TO BE USED FOR PROCUREMENT IN ANY WAY PREJUDICIAL TO UF STRAINRITE INC. INTERESTS; (3) IT SHALL NOT BE REPRODUCED OR COPIED IN WHOLE OR IN PART; AND (4) IT SHALL NOT BE DISCLOSED AS GENERAL OR SPECIFIC INFORMATION WITHOUT EXPRESSED CONSENT IN WRITING SIGNED BY AN AUTHORIZED REPRESENTATIVE OF UF STRAINRITE INC.

UNLESS OTHERWISE SPECIFIED DIMENSIONS ARE IN INCHES. TOLERANCES ARE AS FOLLOWS:
 FRACTION ± 1/8 ANGLES ± 10°
 .XX = ± .020 .XXX = ± .005
 MATERIAL:
STAINLESS

SRVC-B1	
DRAWN BY: DCB	STRAINRITE INC
DATE: 2-15-16	65 First Flight Drive
APPROVAL:	Auburn Maine
DWG #: -	(207) 777-3100
SCALE: xx	SHT. 1 OF 1 C.