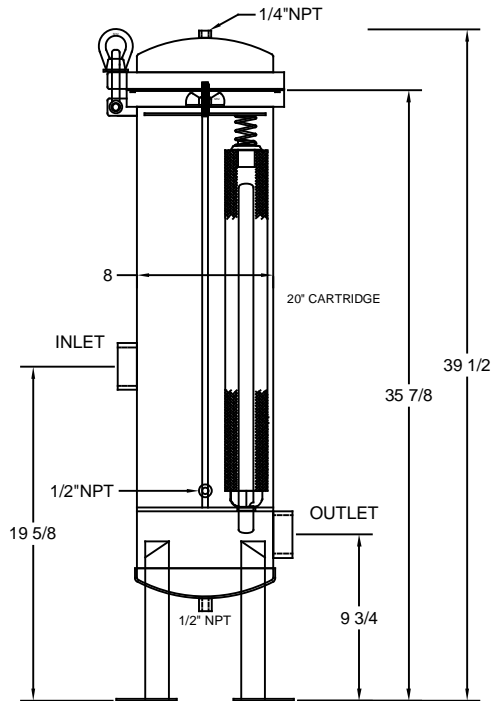
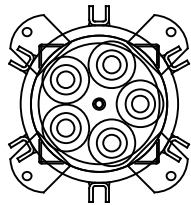


CARTRIDGE VESSEL  
 FILTER CARTRIDGE LIFE 0-20 PSID  
 MAXIMUM DIFFERENTIAL PRESSURE 25 PSID  
 FLOW RANGE 20" CTK 1-40 GPM , MAXIMUM FLOW RATE 50 GPM WATER  
 FLOW RANGE 30" CTK 1-65 GPM , MAXIMUM FLOW RATE 75 GPM WATER  
 FLOW RANGE 40" CTK 1-90 GPM , MAXIMUM FLOW RATE 100 GPM WATER

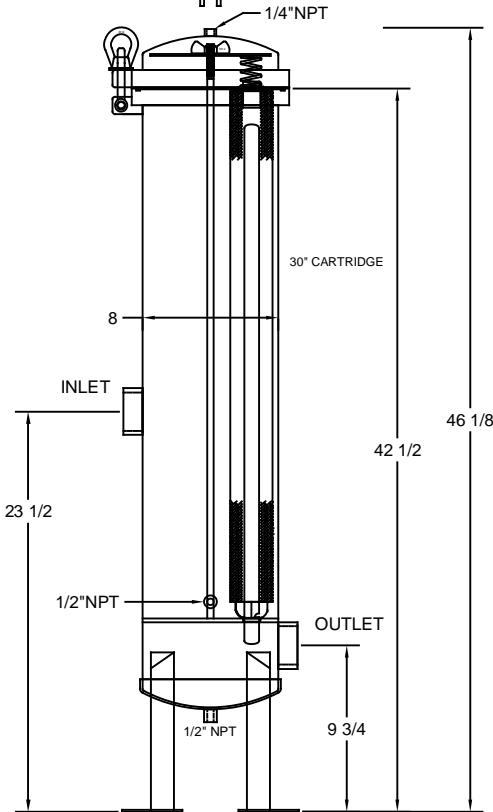
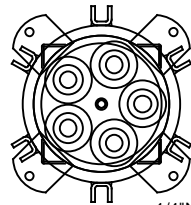
HOLDS (5) DOE OR 222(C1,C3,C8)  
 DESIGN PRESSURE 150PSI @ 300F  
 NON-CODE MILD SERVICE  
 (PSV) PRESSURE SAFETY VALVE NOT SUPPLIED  
 152076 COVER ORING SRVC-B5 VITON

REVISIONS			
LTR	DESCRIPTION	DATE	APPROVAL
0	new	xx	xx

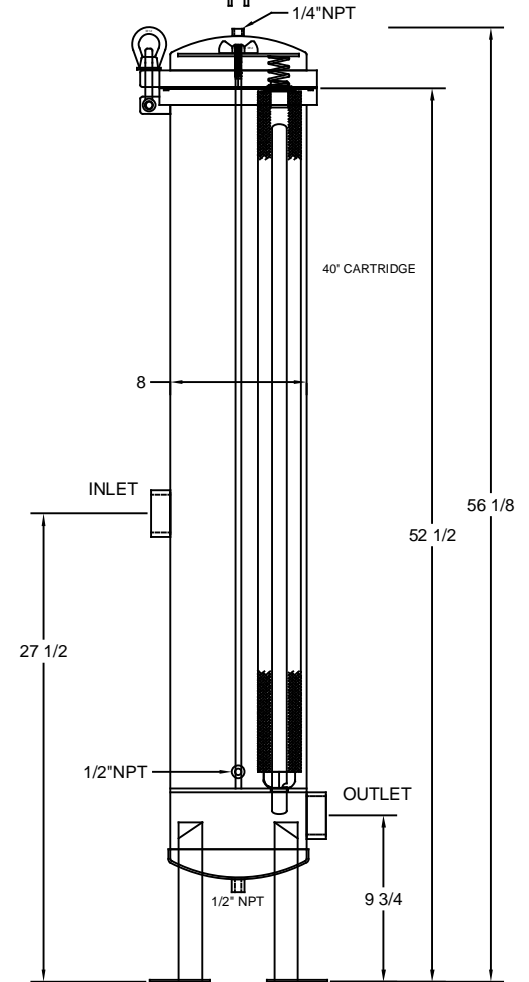
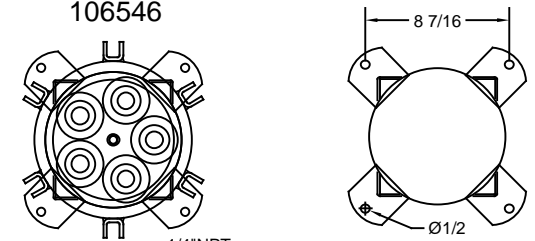
SRVC-B5-202V  
 106544



SRVC-B5-302V  
 106545



SRVC-B5-402V  
 106546



EST. SHIPPING WEIGHTS

20" 50 LBS  
 30" 60 LBS  
 40" 75 LBS

**THIS REPRODUCTION IS A PROPRIETARY DESIGN AND CONFIDENTIAL INFORMATION OF UF STRAINRITE INC. AND IS LOANED SUBJECT TO THE CONDITIONS THAT: (1) IT SHALL BE USED OR CAUSED TO BE USED FOR RECORD AND REFERENCE PURPOSES; (2) IT SHALL NOT BE USED OR CAUSED TO BE USED FOR PROCUREMENT IN ANY WAY PREJUDICIAL TO UF STRAINRITE INC. INTERESTS; (3) IT SHALL NOT BE REPRODUCED OR COPIED IN WHOLE OR IN PART; AND (4) IT SHALL NOT BE DISCLOSED AS GENERAL OR SPECIFIC INFORMATION WITHOUT EXPRESSED CONSENT IN WRITING SIGNED BY AN AUTHORIZED REPRESENTATIVE OF UF STRAINRITE INC.**

UNLESS OTHERWISE SPECIFIED DIMENSIONS ARE IN INCHES. TOLERANCES ARE AS FOLLOWS:  
 FRACTION E 1/8 ANGLES E 10°  
 .XX = E .020 .XXX = E .XX  
 MATERIAL: STAINLESS

SRVC-B5

DRAWN BY: DCB	STRAINRITE INC 65 First Flight Drive Auburn Maine (207) 777-3100
DATE: 3-18-16	
APPROVAL:	SCALE: xx 0 SHI. 1 OF 1 C
DWG #: -	