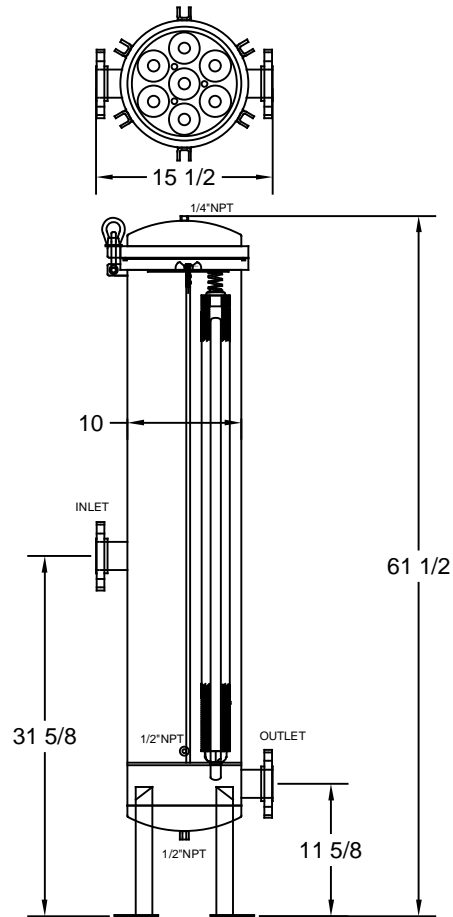


CARTRIDGE VESSEL
 FILTER CARTRIDGE LIFE 0-20 PSID
 MAXIMUM DIFFERENTIAL PRESSURE 25 PSID
 FLOW RANGE 30" CTK 1-100 GPM , MAXIMUM FLOW RATE 125 GPM WATER
 FLOW RANGE 40" CTK 1-140 GPM , MAXIMUM FLOW RATE 175 GPM WATER

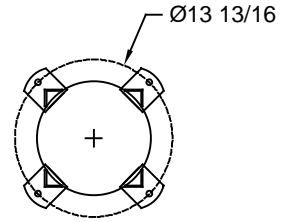
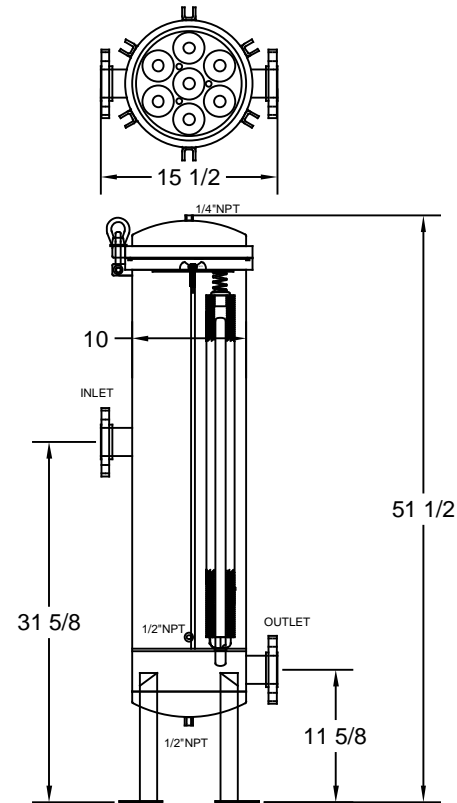
HOLDS (7) DOE OR 222(C1,C3,C8)
 DESIGN PRESSURE 150PSI @ 300F
 NON-CODE MILD SERVICE
 (PSV) PRESSURE SAFETY VALVE NOT SUPPLIED
 152079 COVER ORING SRVC-B7 VITON

REVISIONS			
LTR	DESCRIPTION	DATE	APPROVAL
0	new	xx	xx

SRVC-B7-402FV
 106559



SRVC-B7-302FV
 106547



EST. SHIPPING WEIGHTS

30" 85 LBS
 40" 95 LBS

THIS REPRODUCTION IS A PROPRIETARY DESIGN AND CONFIDENTIAL INFORMATION OF UF STRAINRITE INC. AND IS LOANED SUBJECT TO THE CONDITIONS THAT: (1) IT SHALL BE USED OR CAUSED TO BE USED FOR RECORD AND REFERENCE PURPOSES; (2) IT SHALL NOT BE USED OR CAUSED TO BE USED FOR PROCUREMENT IN ANY WAY PREJUDICIAL TO UF STRAINRITE INC. INTERESTS; (3) IT SHALL NOT BE REPRODUCED OR COPIED IN WHOLE OR IN PART; AND (4) IT SHALL NOT BE DISCLOSED AS GENERAL OR SPECIFIC INFORMATION WITHOUT EXPRESSED CONSENT IN WRITING SIGNED BY AN AUTHORIZED REPRESENTATIVE OF UF STRAINRITE INC.

UNLESS OTHERWISE SPECIFIED DIMENSIONS ARE IN INCHES. TOLERANCES ARE AS FOLLOW:

FRACTION E 1/8 ANGLES E 10°
 XX = E .020 XXX = E .010

MATERIAL:
STAINLESS

SRVC-B7

DRAWN BY: DCB	STRAINRITE INC 65 First Flight Drive Auburn Maine (207) 777-3100
DATE: 5-23-16	
APPROVAL:	
DWG #: -	SCALE: xx 10
	SHT. 1 OF 1 C