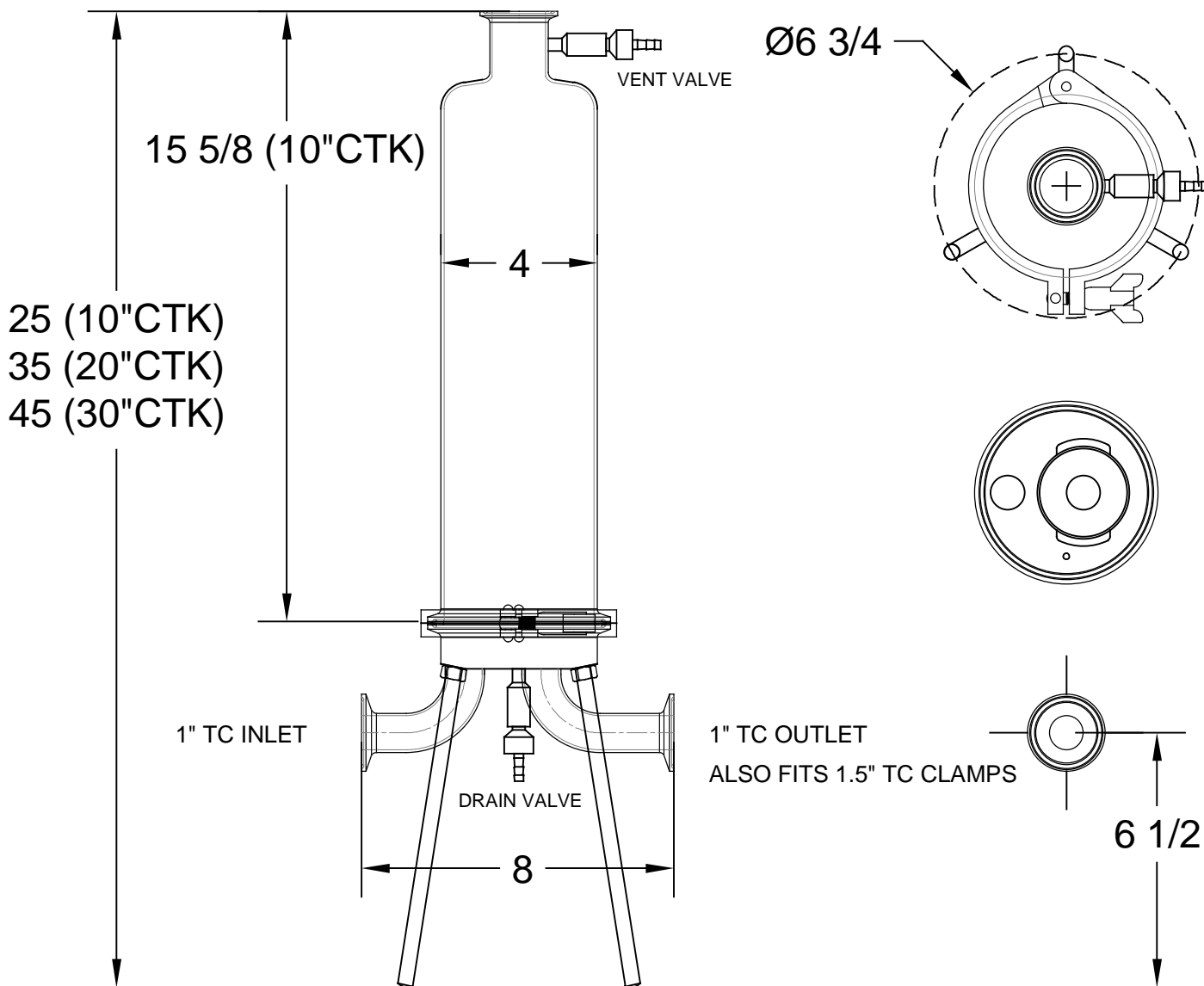


SANITARY CARTRIDGE VESSEL
 FILTER CARTRIDGE LIFE 0-20 PSID
 MAXIMUM DIFFERENTIAL PRESSURE 25 PSID
 FLOW RANGE 10" CTK 1-7 GPM , MAXIMUM FLOW RATE 10 GPM WATER
 FLOW RANGE 20" CTK 1-14 GPM , MAXIMUM FLOW RATE 20 GPM WATER
 FLOW RANGE 30" CTK 1-20 GPM , MAXIMUM FLOW RATE 25 GPM WATER
 HOLDS (1) 226 STYLE CARTRIDGE (C6,C7)
 DESIGN PRESSURE 100 PSI @ 200F
 NON-CODE MILD SERVICE
 SILICONE GASKET
 32Ra POLISH INSIDE AND OUT
 (PSV) PRESSURE SAFETY VALVE NOT SUPPLIED

REVISIONS			
LTR	DESCRIPTION	DATE	APPROVAL
0	NEW	XX	XX

1.5" TC VENT/PRESSURE GAUGE



WEIGHT EMPTY 10" 12LBS, 20" 14LBS, 30" 16LBS

THIS REPRODUCTION IS A PROPRIETARY DESIGN AND CONFIDENTIAL INFORMATION OF STRAINRITE INC. AND IS LOANED SUBJECT TO THE CONDITIONS THAT: (1) IT SHALL BE USED OR CAUSED TO BE USED FOR RECORD AND REFERENCE PURPOSES; (2) IT SHALL NOT BE USED OR CAUSED TO BE USED FOR PROCUREMENT IN ANY WAY PREJUDICIAL TO STRAINRITE INC. INTERESTS; (3) IT SHALL NOT BE REPRODUCED OR COPIED IN WHOLE OR IN PART; AND (4) IT SHALL NOT BE DISCLOSED AS GENERAL OR SPECIFIC INFORMATION WITHOUT EXPRESSED CONSENT IN WRITING SIGNED BY AN AUTHORIZED REPRESENTATIVE OF STRAINRITE INC.

UNLESS OTHERWISE SPECIFIED DIMENSIONS ARE IN INCHES. TOLERANCES ARE AS FOLLOW:

FRACTION E 1/8 ANGLES E 10°
 .XX = E .020 .XXX = E .XX

MATERIAL:
 316L STAINLESS

SRVT-1RND-X0-1TC-C-C7

DRAWN BY: DCB	CLARITY
DATE: 4-23-15	65 First Flight Drive
APPROVAL:	Auburn Maine
DWG #: SRVT	(207) 777-3100
SCALE: XX	SHT. 1 OF 1
0	C