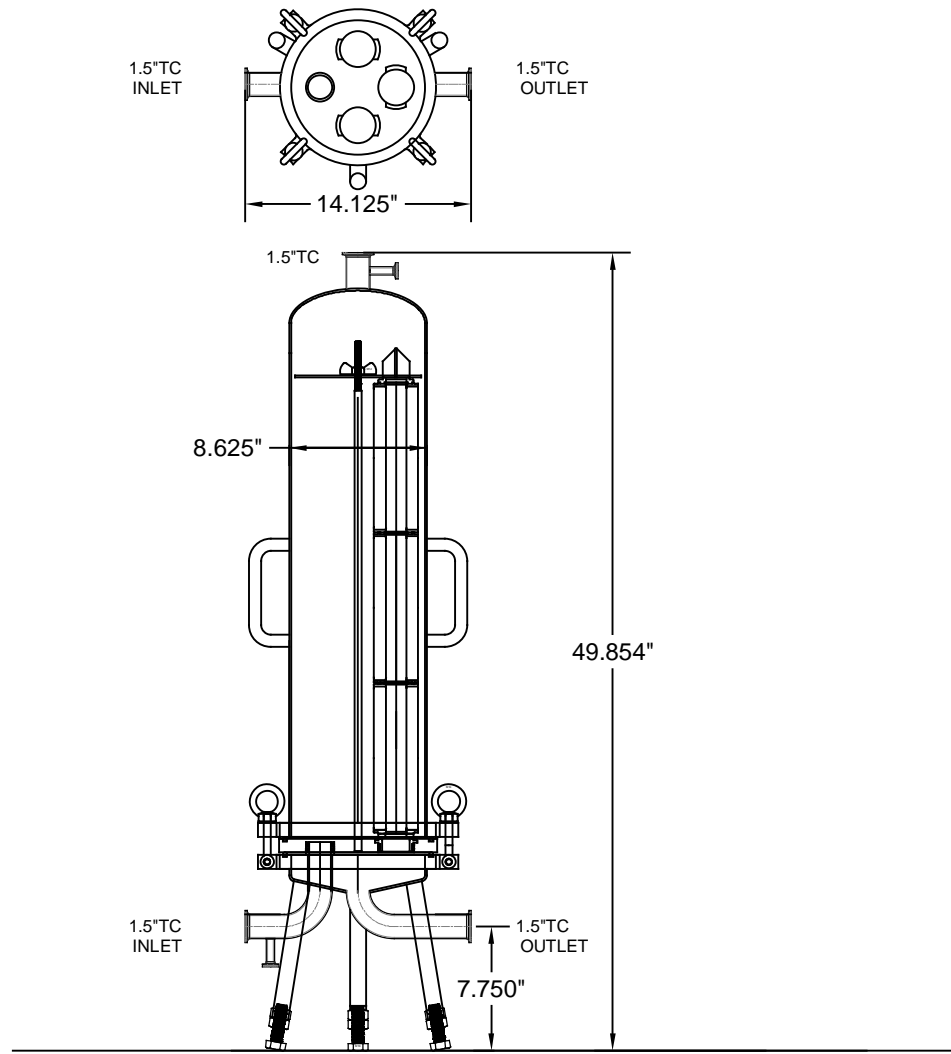


CARTRIDGE VESSEL  
 FILTER CARTRIDGE LIFE 0-20 PSID  
 MAXIMUM DIFFERENTIAL PRESSURE 25 PSID  
 FLOW RANGE 30° CTK 1-45 GPM , MAXIMUM FLOW RATE 65 GPM WATER

HOLDS (3) 226-FIN (C7)  
 DESIGN PRESSURE 100PSI @ 200F  
 NON-CODE MILD SERVICE  
 (PSV) PRESSURE SAFETY VALVE NOT SUPPLIED

REVISIONS			
LTR	DESCRIPTION	DATE	APPROVAL
0	new	xx	xx



EST. SHIPPING WEIGHTS

30° 85 LBS

**THIS REPRODUCTION IS A PROPRIETARY DESIGN AND CONFIDENTIAL INFORMATION OF UF STRAINRITE INC. AND IS LOANED SUBJECT TO THE CONDITIONS THAT: (1) IT SHALL BE USED OR CAUSED TO BE USED FOR RECORD AND REFERENCE PURPOSES; (2) IT SHALL NOT BE USED OR CAUSED TO BE USED FOR PROCUREMENT IN ANY WAY PREJUDICIAL TO UF STRAINRITE INC. INTERESTS; (3) IT SHALL NOT BE REPRODUCED OR COPIED IN WHOLE OR IN PART; AND (4) IT SHALL NOT BE DISCLOSED AS GENERAL OR SPECIFIC INFORMATION WITHOUT EXPRESSED CONSENT IN WRITING SIGNED BY AN AUTHORIZED REPRESENTATIVE OF UF STRAINRITE INC.**

UNLESS OTHERWISE SPECIFIED DIMENSIONS ARE IN INCHES. TOLERANCES ARE AS FOLLOW:

FRACTION E 1/8 ANGLES E 10°  
 .XX = E .020 XXX = E .XX

MATERIAL:

316L SS

**SRVT-3RND-30-1.5TC-C-07**

DRAWN BY: DCB

DATE: 12-28-17

APPROVAL:

DWG #: 353604

**STRAINRITE INC**  
 65 First Flight Drive  
 Auburn Maine  
 (207) 777-3100

SCALE: xx | 0 | SHI. 1 OF 1 | C